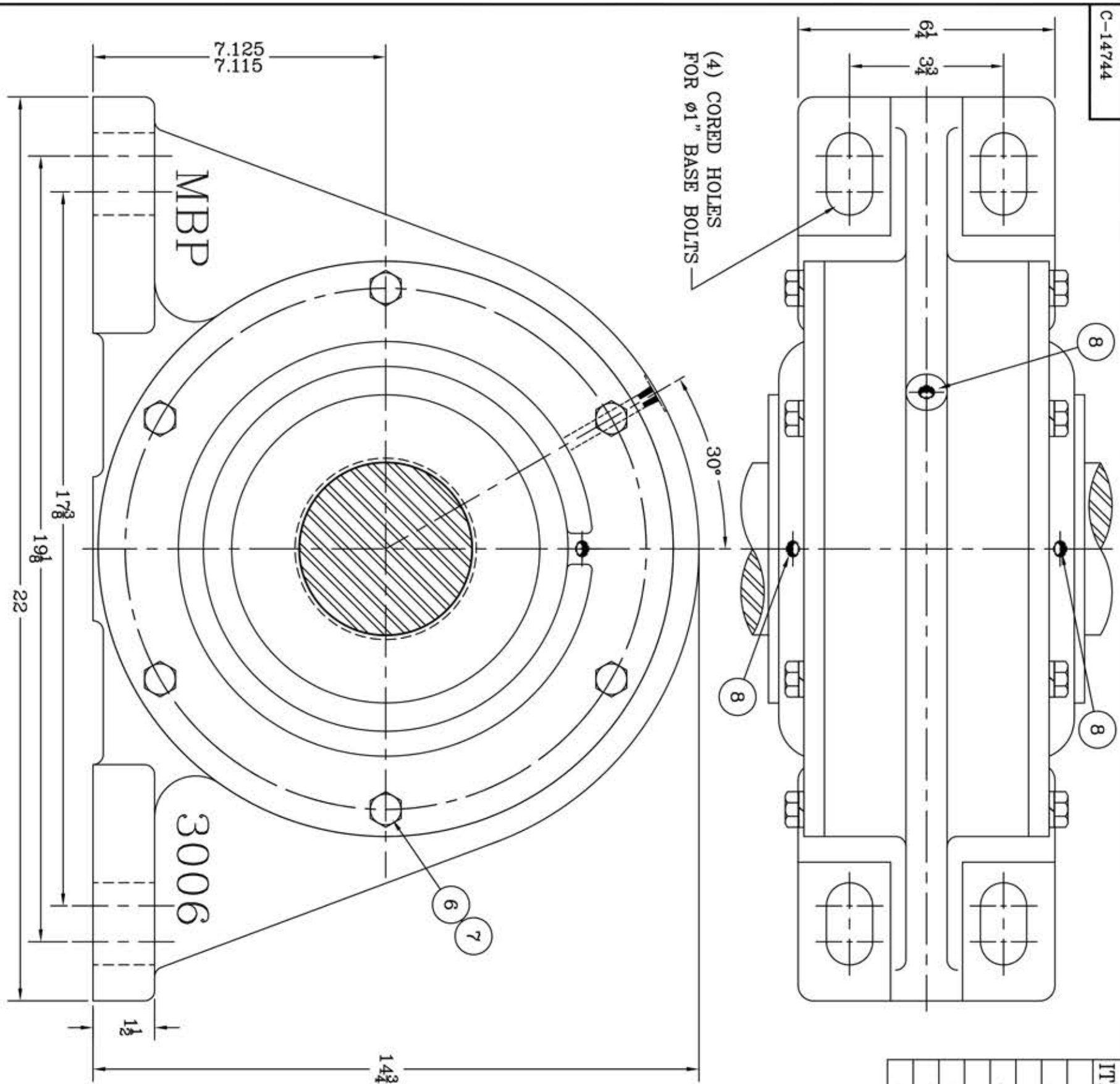


This drawing is the sole property of Miether Bearing Products and contains confidential and proprietary information. It is being provided to you for your use and may not be disclosed to any third party or used for any other purpose without Miether's prior written consent. The [materials] must be returned to the Company upon its demand. Your acceptance of these materials constitutes your acceptance of the foregoing terms.

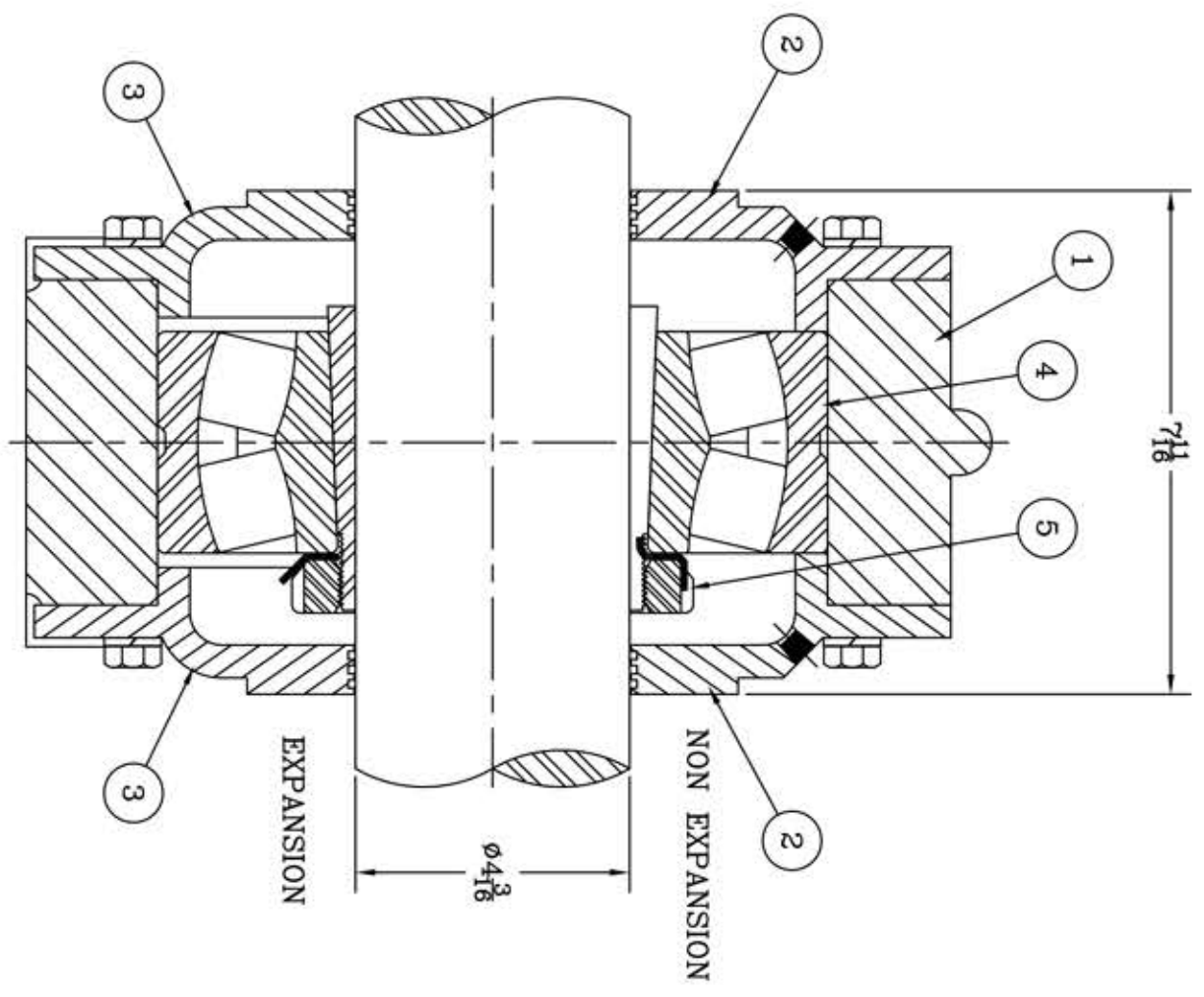
C-14744



(4) CORED HOLES FOR Ø1" BASE BOLTS

MBP

3006



ITEM	DESCRIPTION	DETAIL	REQUIRED
			N EXP EXP.
1	HOUSING M3015	C-03015	1 1
2	ENDCAP F3454 NEL	C-22826	2 0
3	ENDCAP F3455 EL	C-22826	0 2
4	SPHERICAL ROLLER BEARING	22324K/W-33	1 1
5	ADAPTER SNW-24 04-03	24426	1 1
6	CAP BOLT HEX. HEAD	1/2-13 NC x 1 1/2 LONG	12 12
7	LOCKWASHER	1/2 SPLIT MED.	12 12
8	PIPE PLUG	1/2-27 NPT	3 3

REDRAWN ON COMPUTER
RWB per KAB
8-21-03

REVISIONS

SYMBOL	DESCRIPTION
✓	16
✓	32
✓	63
✓	125
✓	250
✓	500
✓	1000

TOLERANCE: UNLESS OTHERWISE SPECIFIED

FRACTIONS +- 1/32" ANGLES +- 0° 30'

DECIMALS +- .005" WELD +- 1/16"

CASTING +- 1/16"

A.I.S.I. STANDARD FINISHES

AN ALCO INDUSTRIES COMPANY

ODESSA, TX. USA

MMW 22624 04-03

ASSEMBLY DRAWING

SCALE HALF

DRAWN CJ

DATE 7/26/71

CHK:

ASSEMBLY NO.

DRAWING NO.

C-14744